



1.888.880.4884

## Assembly Instructions

Item Number : LFY007-1(White), LFY008-1 (Pecan), LFY018-1(White), LFY019-1(Pecan)

Product Name: Classic Playtime Activity Table, Tall Table legs Set of 4

### PRE-ASSEMBLY PREPARATION:

- Insert applicable notes on checking carton for all necessary parts before beginning assembly.
- Any caution statements or comments on one or two people recommended for assembly.
- If small parts are present in the packaging. We must include a warning on keeping small parts away from children.
- ADULT ASSEMBLY REQUIRED

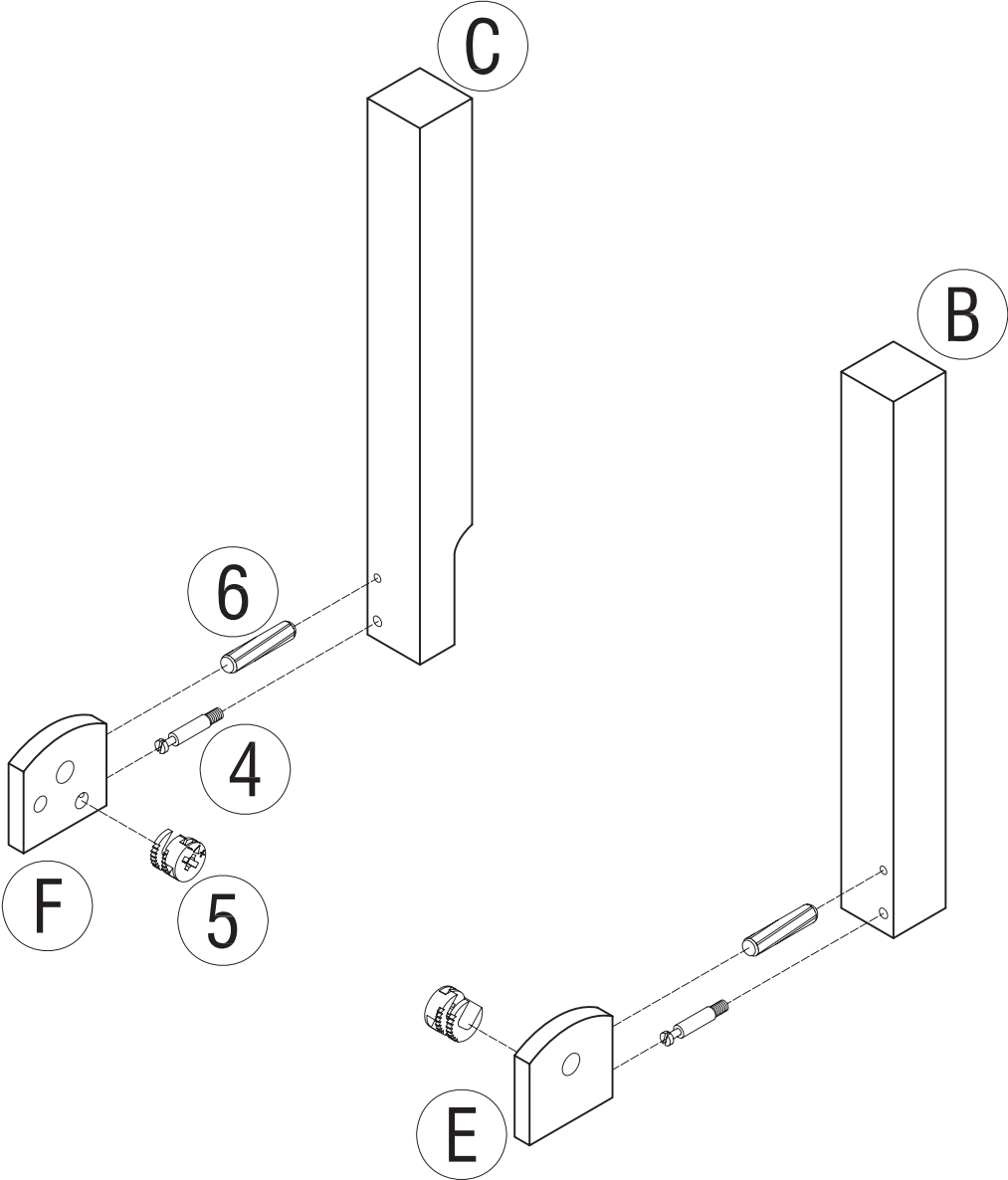
Panel and Fittings Identification: <Section for parts images and numbering/naming convention>

	PARTS	Q'TY
A		1PC
B		1PC
C		1PC
D		2PCS
E		1PC
F		1PC
G		2PCS
H		1PC

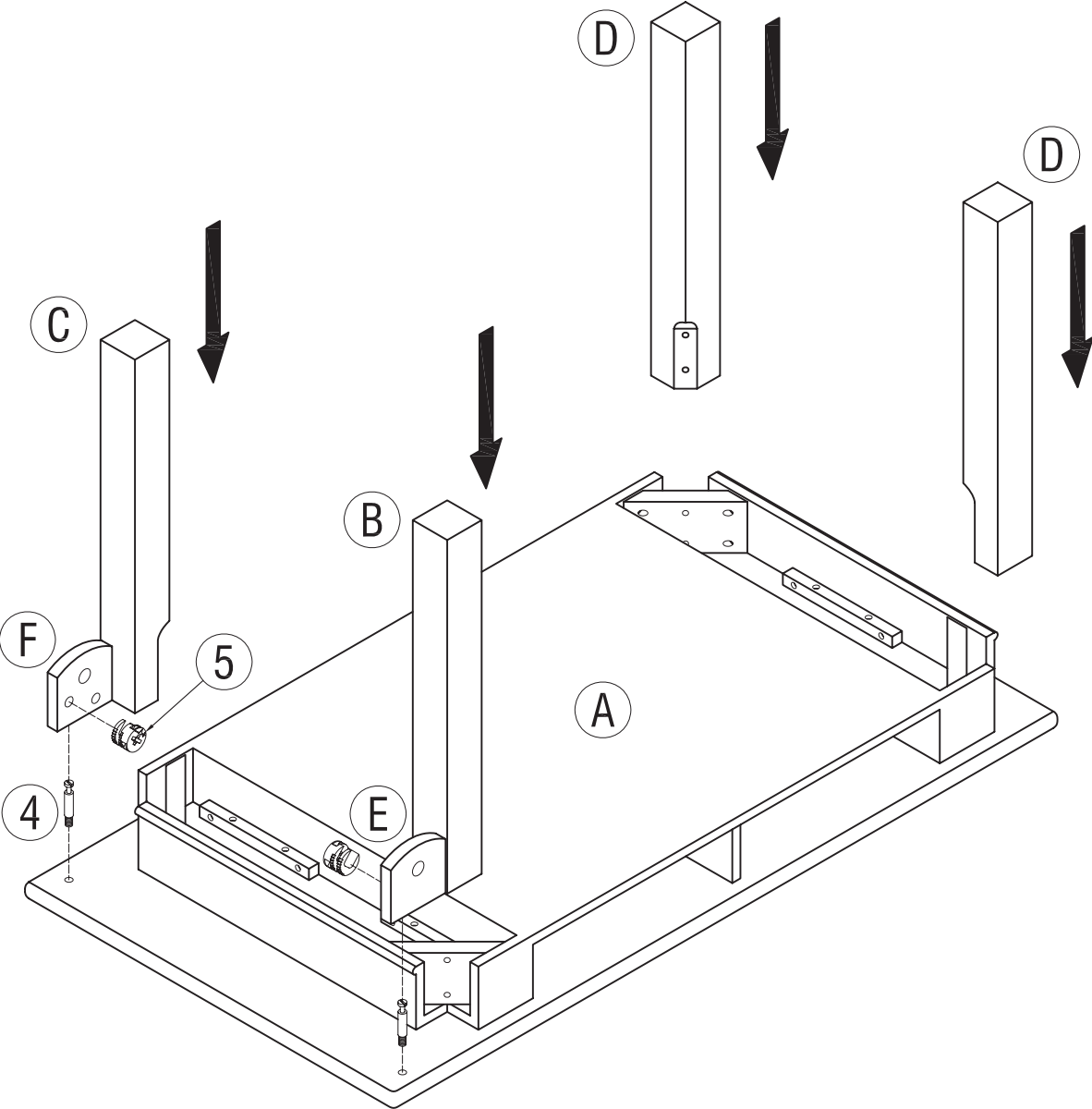
	PARTS	Q'TY
1		8PCS
2		8PCS
3		8PCS
4		4PCS
5		4PCS
6		2PCS
7		1PC

# Step By Step Assembly Instructions

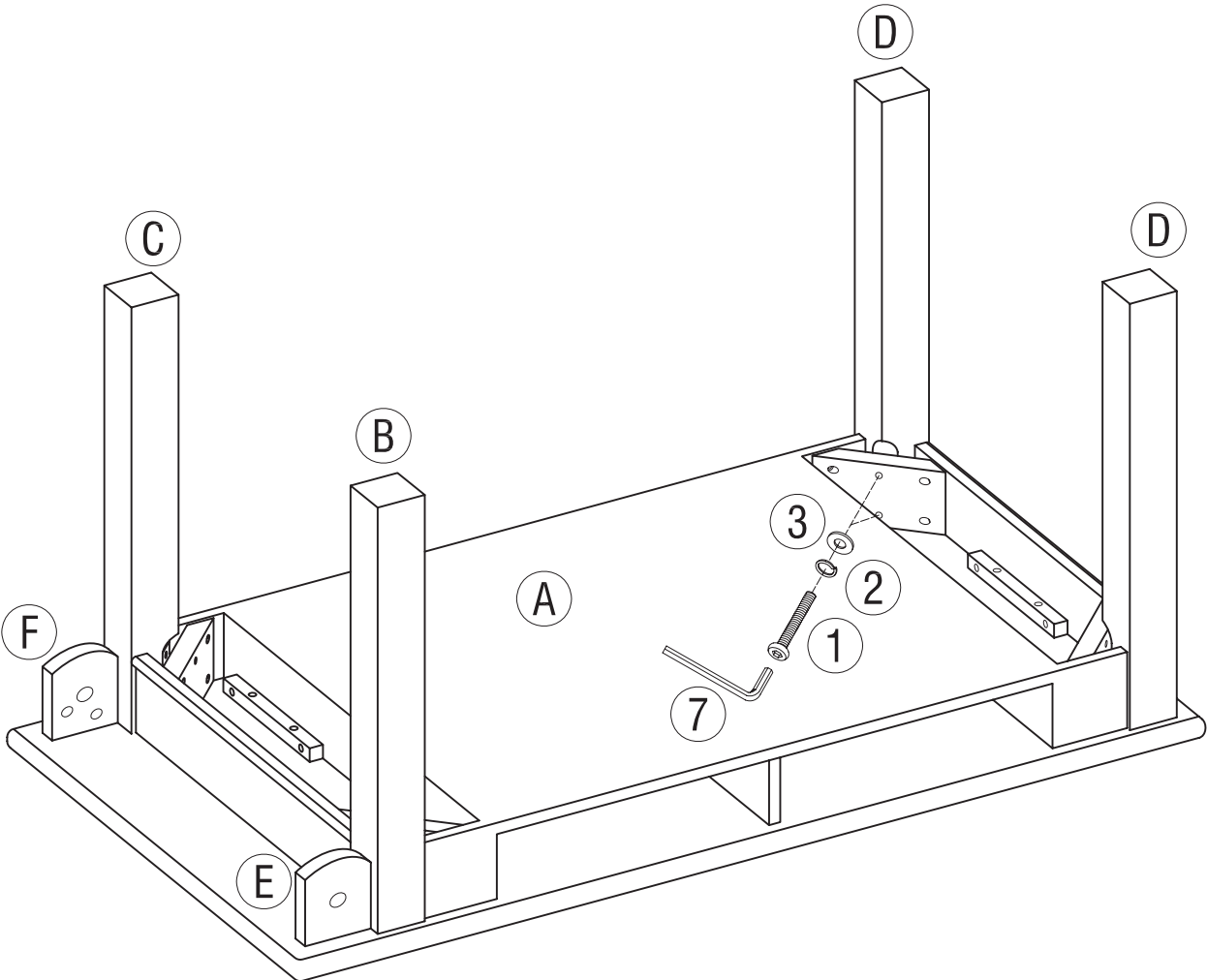
Step 1 :



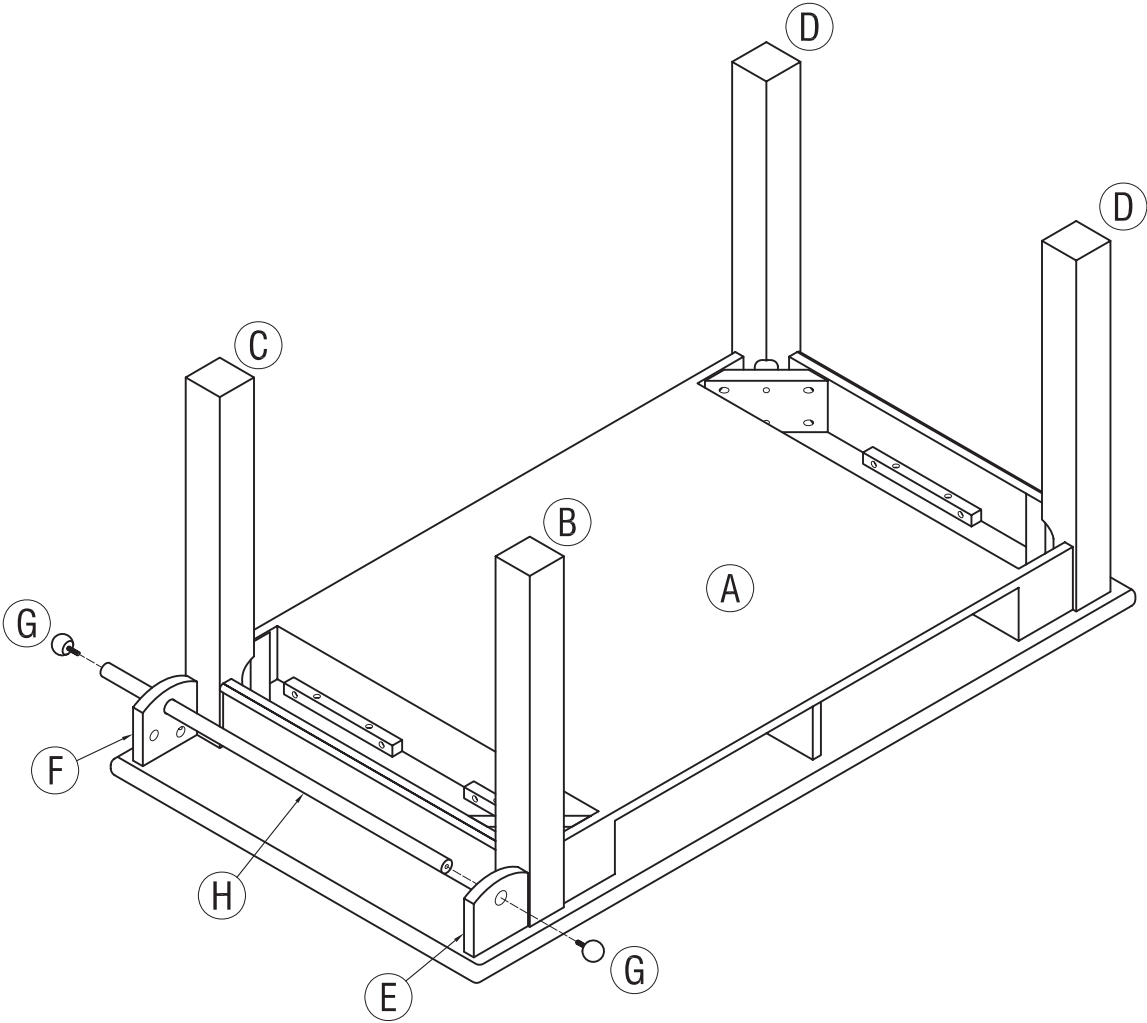
Step 2 :



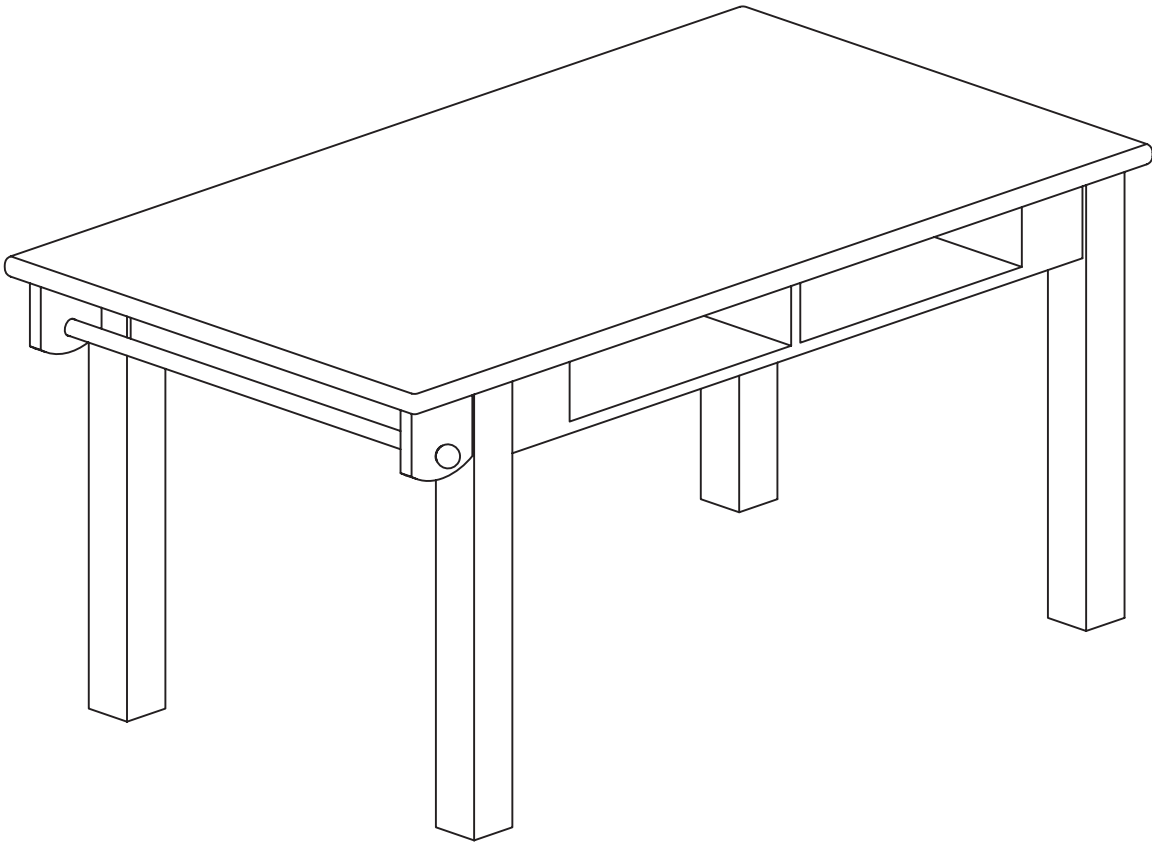
Step 3 :



Step 4 :



Step 5 :



Thank you for your Purchase.



1.888.880.4884

## Assembly Instructions

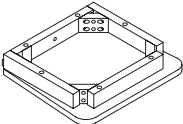
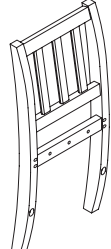
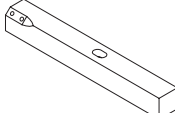
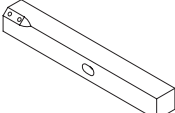
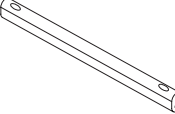
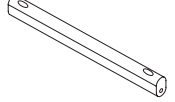
Item Number : LFY017-1(White), LFY005-1(Pecan)









Product Name: Classic Playtime Set of 2 Chairs

### PRE-ASSEMBLY PREPARATION:

- Insert applicable notes on checking carton for all necessary parts before beginning assembly.
- Any caution statements or comments on one or two people recommended for assembly.
- If small parts are present in the packaging. We must include a warning on keeping small parts away from children.
- ADULT ASSEMBLY REQUIRED

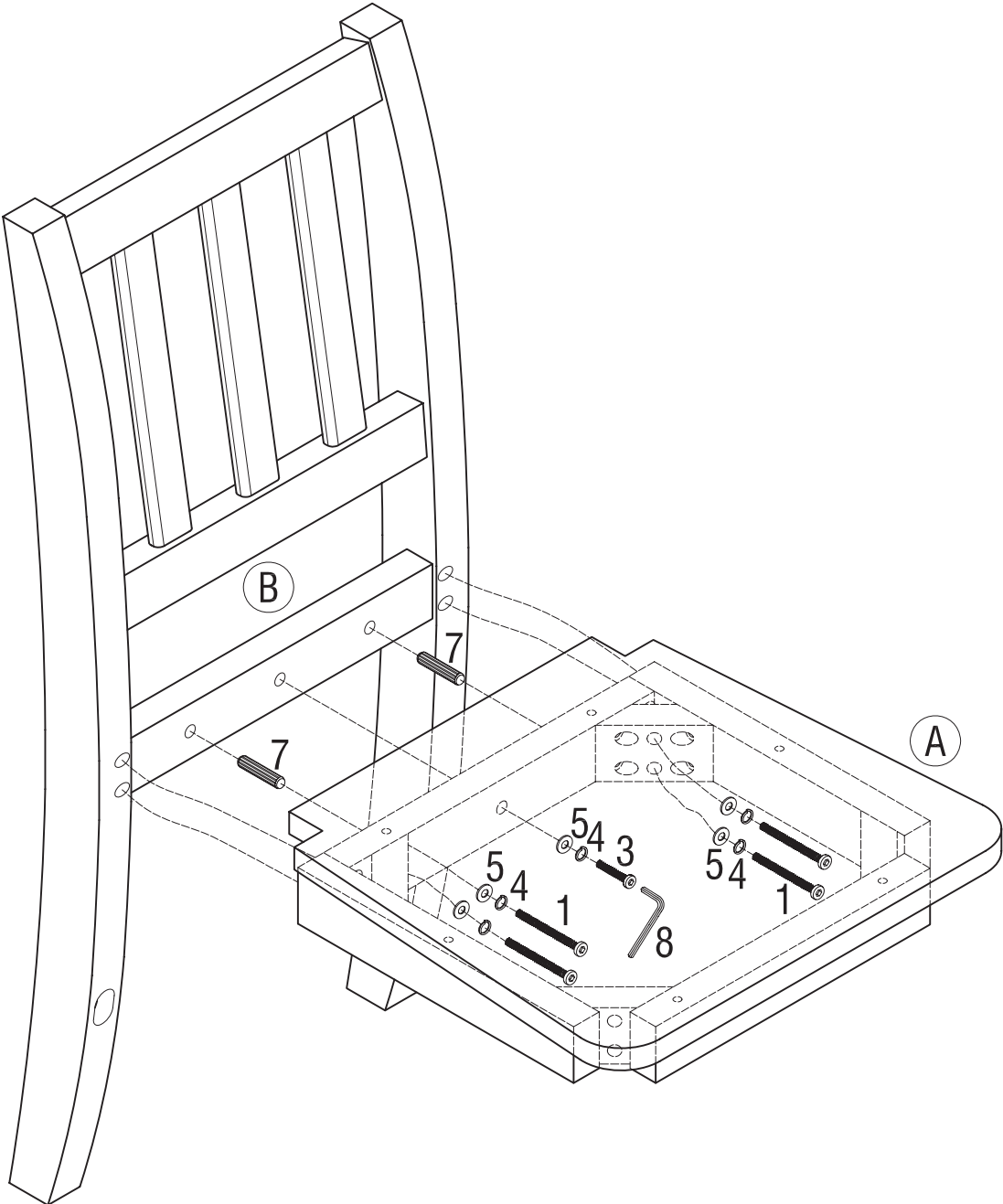
Panel and Fittings Identification: <Section for parts images and numbering/naming convention>

	PARTS	Q'TY
A		1PC
B		1PC
C		1PC
D		1PC
E		2PCS
F		1PC

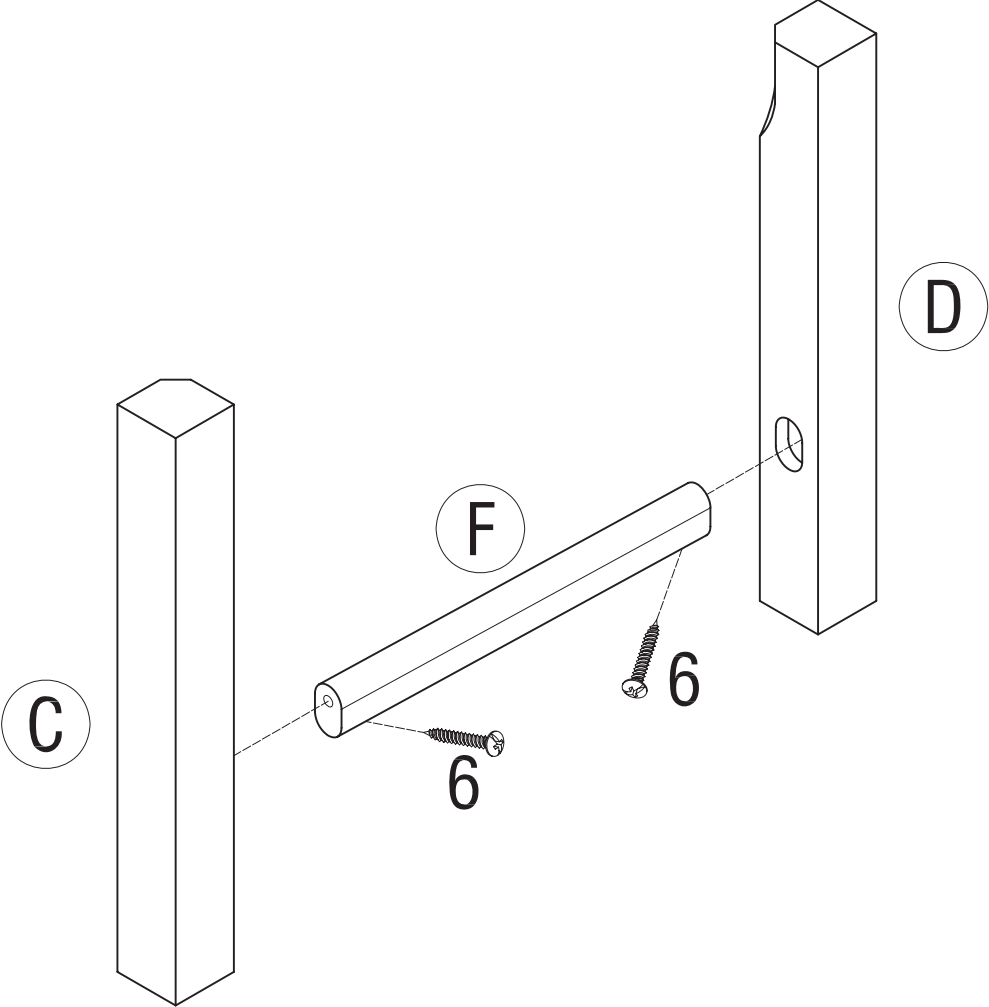
1		4PCS
2		4PCS
3		1PC
4		9PCS
5		9PCS
6		6PCS
7		2PCS
8		1PC

# Step By Step Assembly Instructions

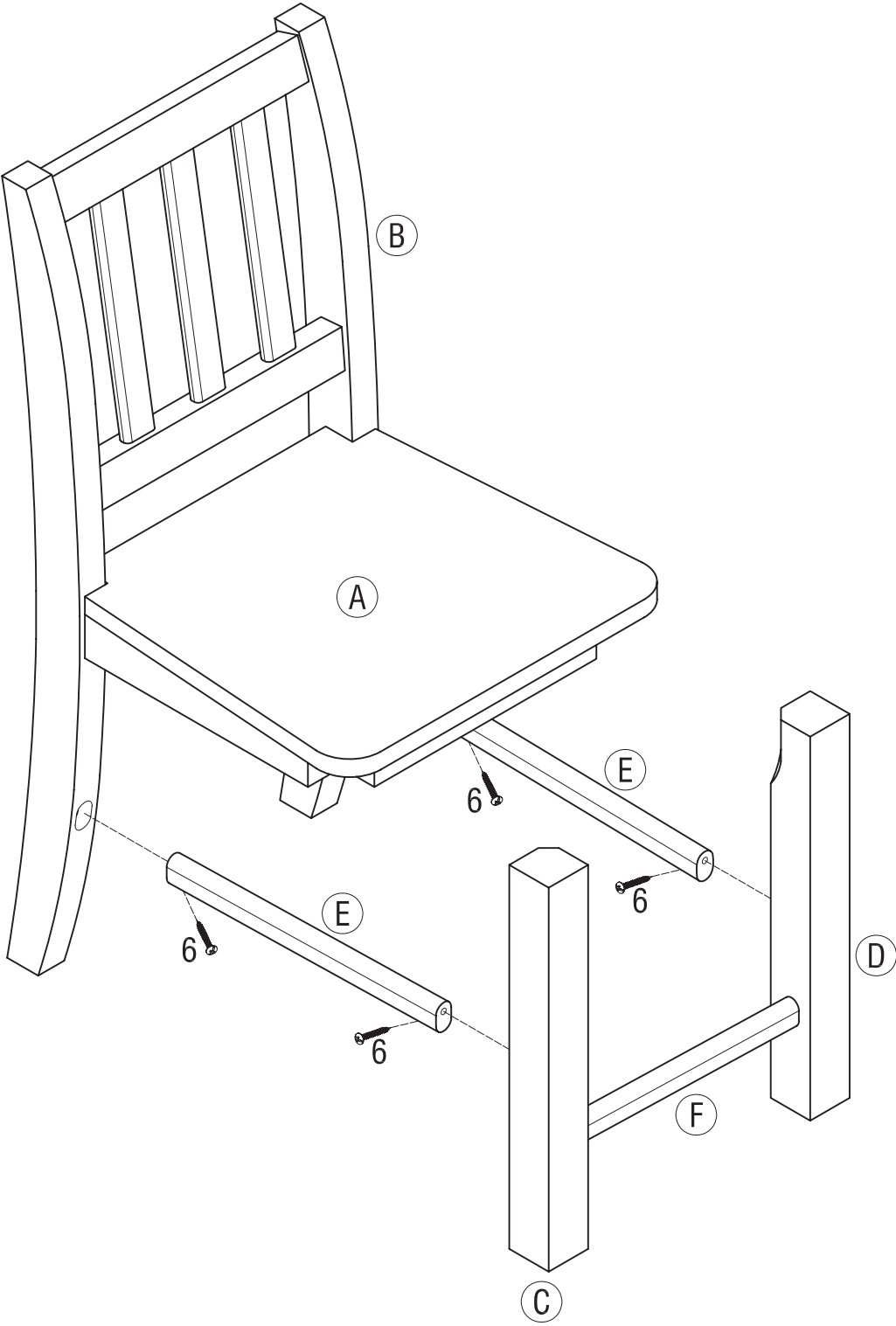
Step 1 :



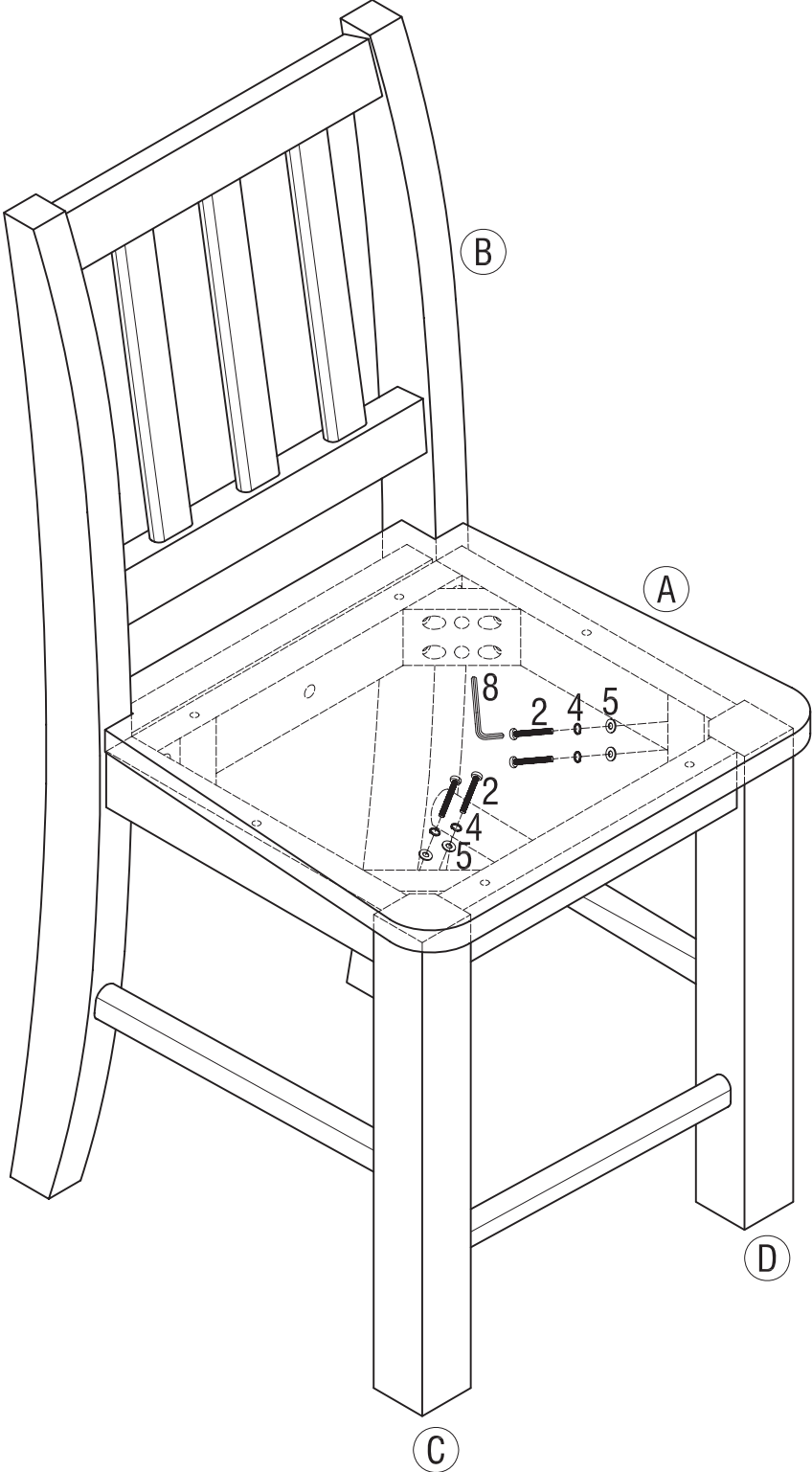
Step 2 :



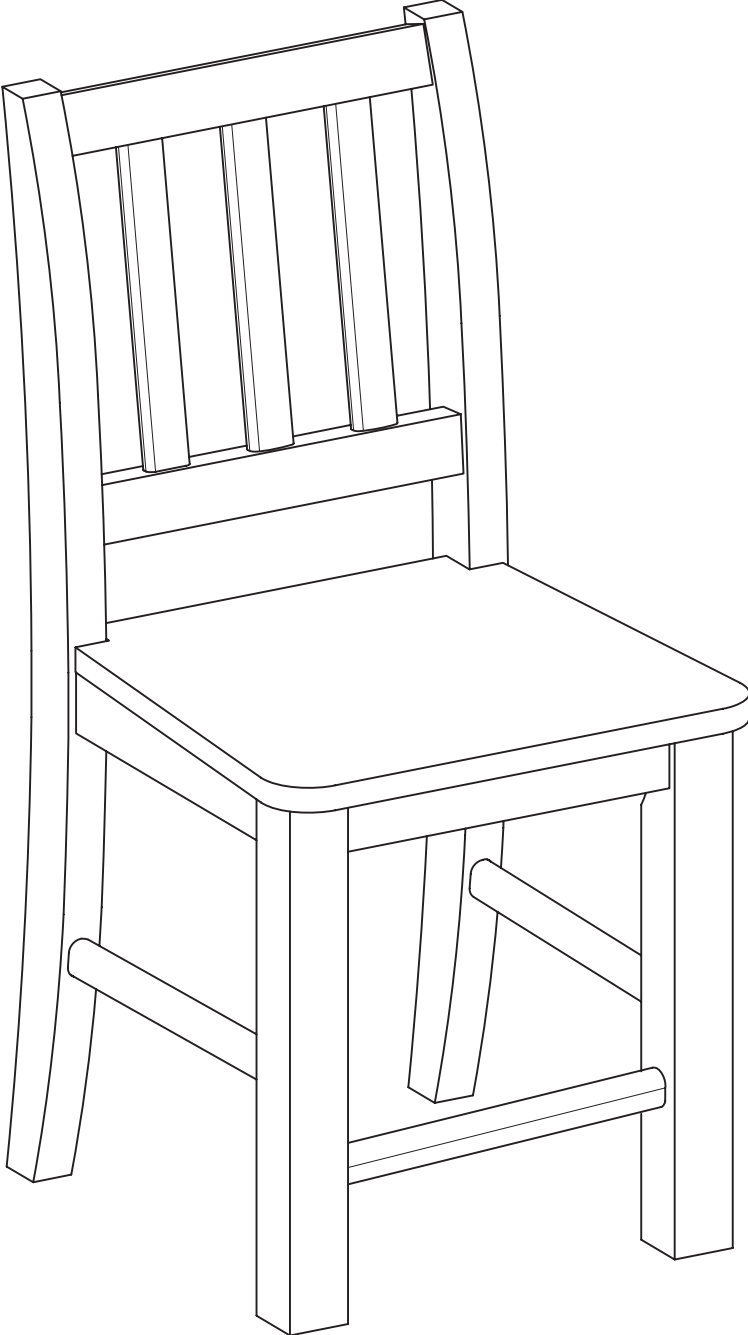
Step 3 :



Step 4 :



Step 5 :



Thank you for your Purchase.